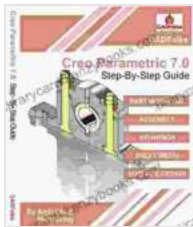


Unlock Your Design Potential with Creo Parametric Step-by-Step Guide

##

##



Creo Parametric 7.0 - Step-By-Step Guide by CADFolks

★★★★★ 5 out of 5

Language : English

File size : 46039 KB

Print length : 474 pages

Screen Reader : Supported



Embark on an extraordinary journey through the world of 3D design with our comprehensive Creo Parametric Step-by-Step Guide. Whether you're a seasoned engineer or a complete novice, this invaluable resource empowers you with the knowledge and skills to elevate your designs to new heights.

##

Navigating the Creo Interface

Begin your adventure by familiarizing yourself with the user-friendly Creo Parametric interface. Discover the intuitive layout, customizable toolbars, and powerful navigation tools that streamline your workflow and enhance your productivity.

##

Laying the Foundation: Sketching and Modeling

Master the art of creating precise sketches through our step-by-step instructions. Understand the fundamental principles of modeling and apply them to generate detailed 3D models that accurately represent your design intent.

##

Assembling Complex Designs

Transform your individual components into fully functional assemblies with ease. Learn techniques for managing large and complex assemblies, ensuring seamless interactions and accurate relationships between parts.

##

Enhancing Design with Features and Relationships

Elevate your designs by incorporating advanced features such as fillets, rounds, patterns, and sweeps. Explore the power of relationships to connect and control various elements of your model, enhancing flexibility and efficiency.

##

Analyzing and Validating Your Designs

Ensure the integrity of your designs through comprehensive analysis capabilities. Evaluate structural strength, perform motion studies, and verify design tolerances to optimize performance and prevent costly errors.

##

Advanced Techniques for Design Optimization

Unlock the full potential of Creo Parametric with advanced techniques such as parametric modeling, sheet metal design, and mold design. Enhance your designs for manufacturability, improve collaboration, and achieve superior results.

##

Real-World Applications and Case Studies

Experience the practical applications of Creo Parametric through real-world case studies. Learn from industry experts who share their insights and showcase the transformative power of this software in various engineering disciplines.

##

Why Choose Creo Parametric?

Discover the key advantages that make Creo Parametric the preferred choice of engineers worldwide.

- Unparalleled accuracy and precision for demanding designs
- Intuitive and customizable interface for a seamless user experience
- Comprehensive toolset for every stage of the design process
- Robust analysis capabilities to ensure design integrity
- Seamless collaboration and data management for efficient teamwork

##

Testimonials

"Creo Parametric has revolutionized my design workflow. Its intuitive interface and powerful tools enable me to create complex assemblies with ease and confidence." - Thomas, Mechanical Engineer

"This guide is an invaluable asset for anyone looking to master Creo Parametric. The step-by-step approach and detailed explanations make learning straightforward and engaging." - Sarah, Design Engineer

##

Bonus Materials

Complement your learning experience with exclusive bonuses:

- Practice files for hands-on exercises
- Online support forum for expert advice and troubleshooting
- Regular updates with the latest Creo Parametric features

##

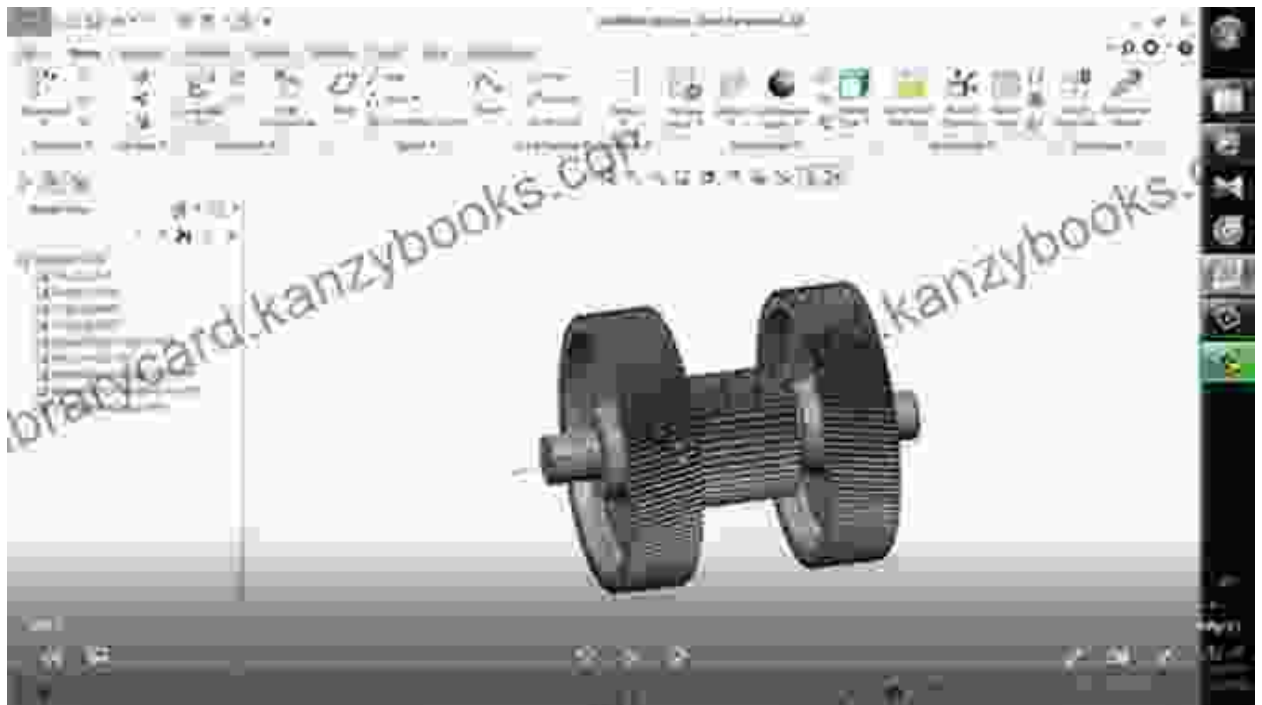
Call to Action

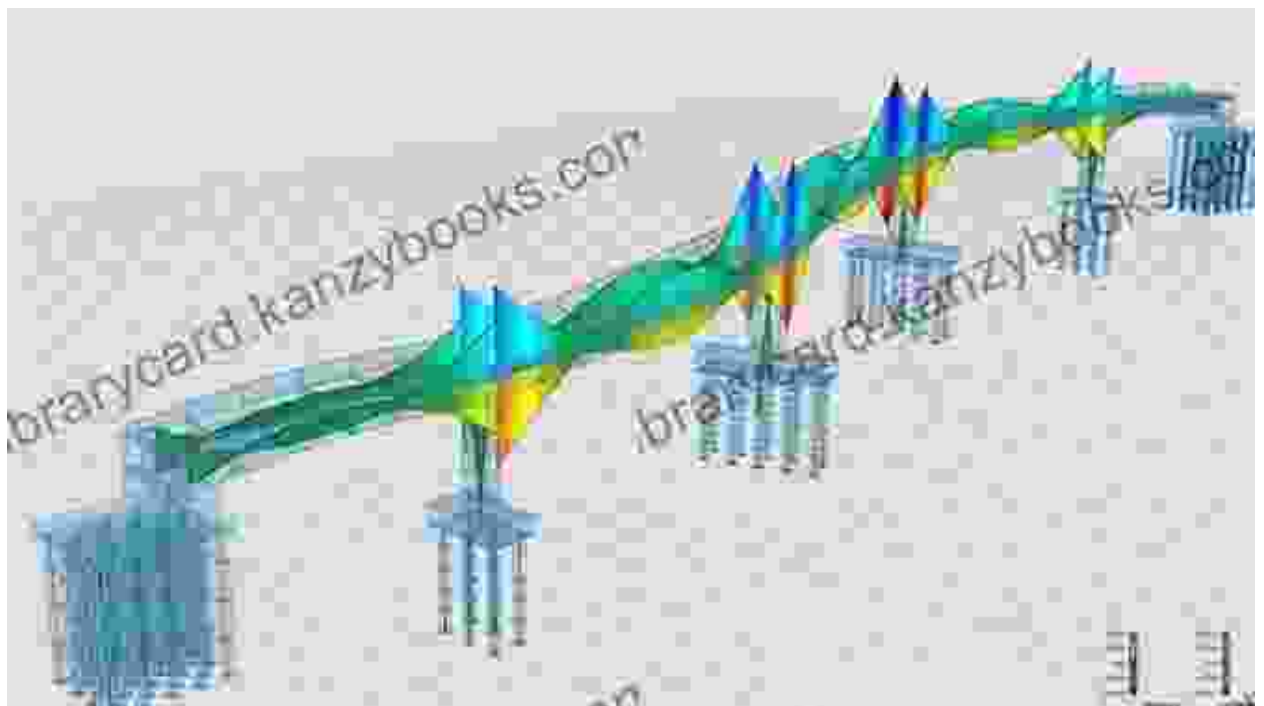
Embark on your journey to design excellence today! Free Download your Creo Parametric Step-by-Step Guide now and unlock the power of this industry-leading software. Transform your design aspirations into tangible realities and elevate your career to new heights.

##

SEO-Optimized Image Alt Attributes

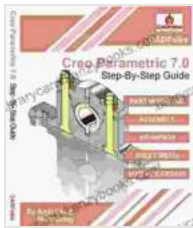
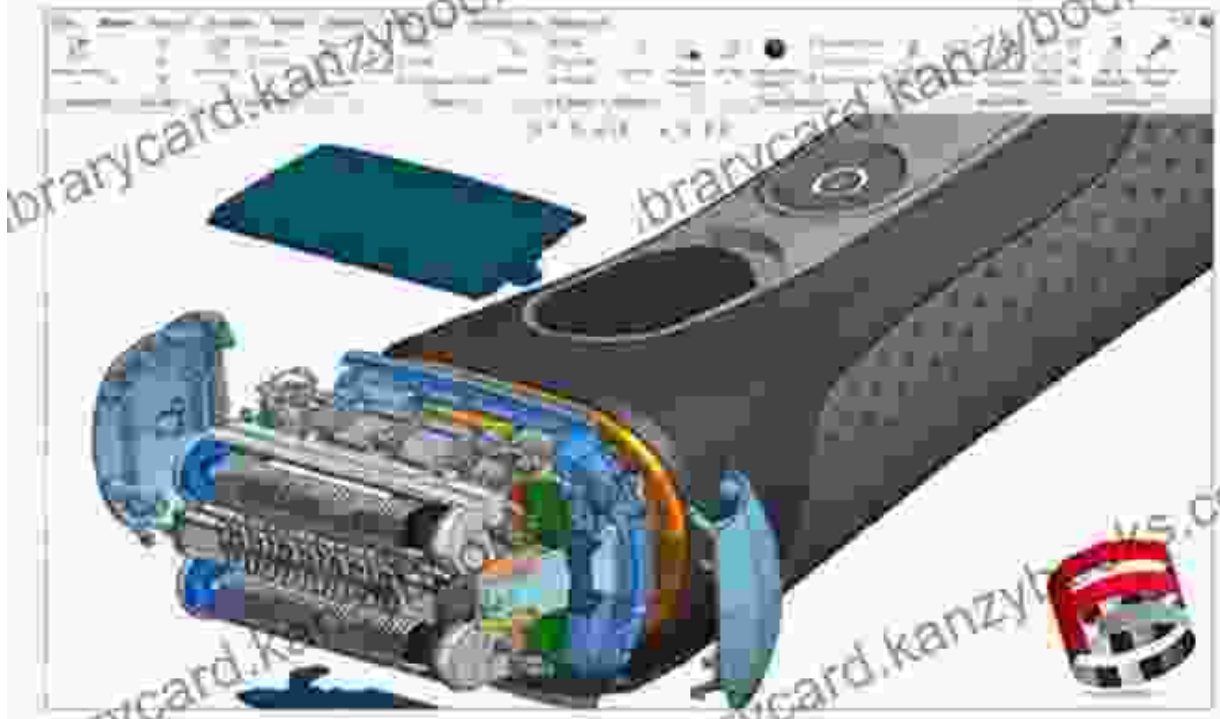








ptc[®] **Creo Parametric**



Creo Parametric 7.0 - Step-By-Step Guide by CADFolks

★★★★★ 5 out of 5

Language : English

File size : 46039 KB

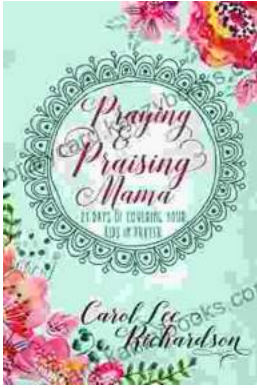
Print length : 474 pages

Screen Reader : Supported

FREE

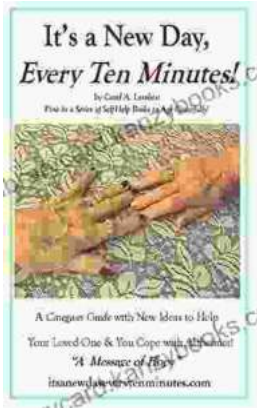
DOWNLOAD E-BOOK





Discover the Unbreakable Bond Between a Mother and Her Son in "Praying and Praising Mama"

Delve into an extraordinary narrative that celebrates the power of love, faith, and family in "Praying and Praising Mama." This captivating book will touch your...



It's a New Day Every Ten Minutes: Transform Your Life with Mindfulness

In the tapestry of life, we often get caught up in the threads of the past and the worries of the future, losing sight of the present moment. This...